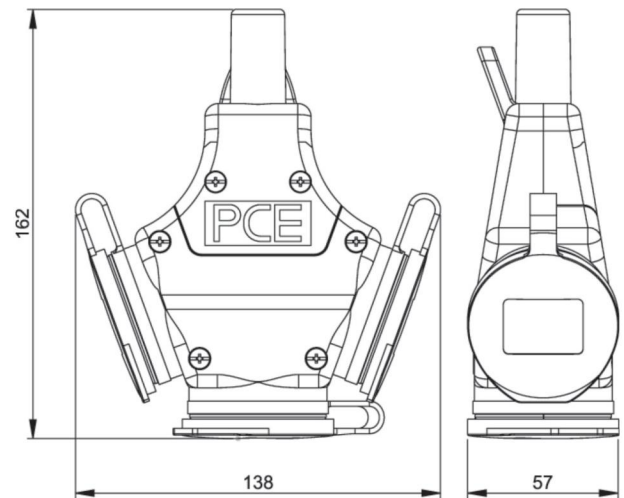


article#	24311-sxsc
article description	3-way connector rubber with cap+shutter
description long	3-way connector rubber with shutter and cap color housing: black/black contact carrier: polyamide ready wired on 3-pole terminal block (PH1) earthing system: French/Belgian with shutter contacts: nickel plated 250V~ / 16A / 2P+E internal strain relief for severe conditions protection rating: IP44
GTIN (EAN)	9003399786334
country of origin	AT
customs number	85366990
net weight	0.320 kg
packaging quantity	5
minimum order quantity	5

ETIM 9.0	EC000379
Number of socket outlets with protective contact CEE 7/3 (type F)	3
Material housing	Plastic
Contact material	CuZn
Surface treatment contacts	Nickel-plated
Power supply/connection possibility	Feeder cable with plug
Number of poles mains connection	3
Diameter cable entry	Other
Handling	Hangable
Degree of protection (IP)	IP44
Colour	Other
Height	172 mm
Width	146 mm
Depth	57 mm

wire flexible	1-2,5 mm ²
contact screws	80 Ncm
strain relief	80 Ncm
dismantling length	30 mm
stripping length	7 mm



<https://www.pcelectric.at/shop/en/?func=detail&artnr=24311-sxsc>