

HaloLED Standard Downlight - 8W



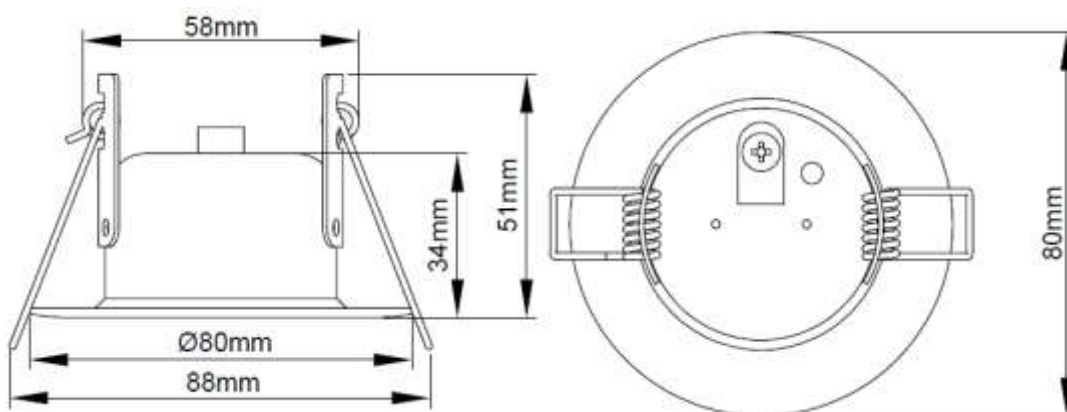
Product Overview

The Kosnic LED Standard Downlight is an LED luminaire replacement for widely used halogen downlights. The LED Standard Downlight uses a unique built-in LED lens and COB (Chip on Board) technology to replicate the effect of halogen downlights. The range is available in white, chrome or matt silver and offers affordable products with high lumen efficiency and a long life.

Features

- Halogen effect.
- Save up to 85% energy usage compared to traditional halogen fittings.
- Supplied with separate Class II IP20 independent driver.
- High lumen output.
- Long life of 35,000h.
- Instant start.
- Negligible UV output.
- Mercury free.

Dimensions



Specifications

Product Code	KSDLLC08FF-S27	KSDLLC08FF-S40	KSDLLC08FF-S65
Nominal Power (W)	8	8	8
Voltage	220-240Vac 50-60Hz	220-240Vac 50-60Hz	220-240Vac 50-60Hz
Current (mA)	67	67	67
Driver	CYC008NNL059	CYC008NNL059	CYC008NNL059
Protection	Class II, IP20 driver Class III Luminaire	Class II, IP20 driver Class III Luminaire	Class II, IP20 driver Class III Luminaire
Connection	Driver wiring leads	Driver wiring leads	Driver wiring leads
Luminous Flux (lm)	460	470	520
CCT	2700K Warm White	4000K Cool White	6500K Day Light
Nominal Lifetime (h)	35000	35000	35000
Beam Angle (°)	36	36	36
Dimmable	No	No	No
Switching Cycles	50000	50000	50000
Warm-up time to 60% Φ (S)	Instant full light	Instant full light	Instant full light
Suitable for accent lighting	Yes	Yes	Yes
Diameter (mm)	80	80	80
Depth (mm)	51	51	51
Cut-out (mm)	58	58	58
Mercury (mg)	0.0	0.0	0.0
Equivalent Wattage (W)	62	64	70
Rated Power (W)	8.0	8.0	8.0
Rated Luminous Flux (lm)	460	470	520
Rated Lifetime (h)	35000	35000	35000
Power Factor	0.52	0.52	0.52
Rated Peak Candelas (cd)	830	840	890
Lumen Maintenance Factor at Nominal Lifetime	0.75	0.75	0.75
SDCM of CCT	<6	<6	<6
CRI	82	82	82
Start Time (s)	0.30	0.30	0.30
Ambient Temperature Range (°C)	-20 to 40	-20 to 40	-20 to 40

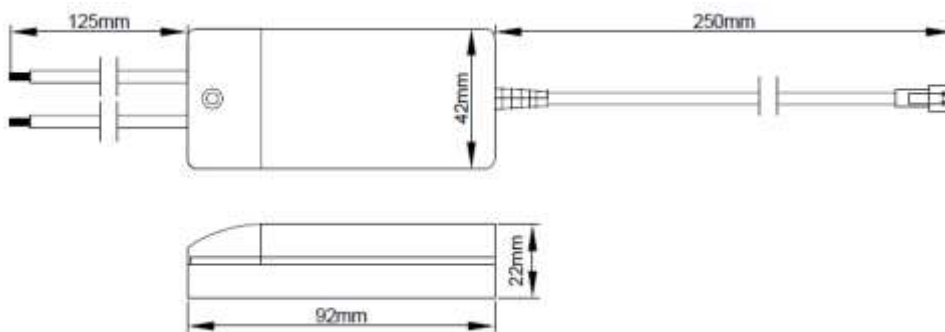
Colour Options

Chrome	Add -CHM to Product Code
Matt Silver	Add -MSL to Product Code
White	Add -WHT to Product Code

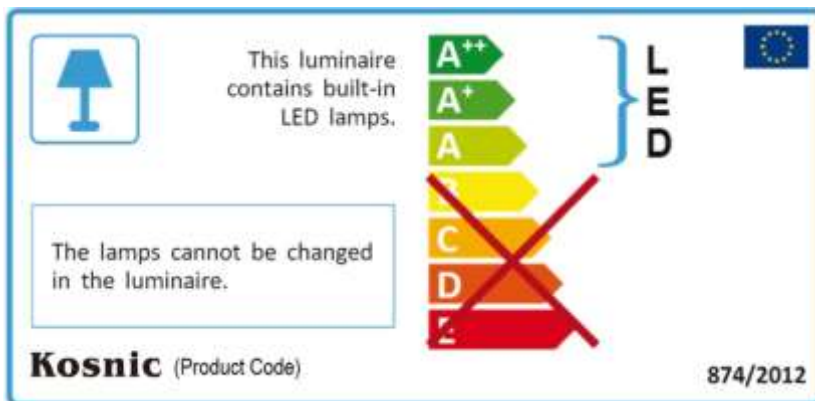
Specifications – Constant Current LED Driver

Product Code	KSDLLC08FF
Driver	CYC008NNL059
Input Voltage	180-264Vac 50-60Hz
Maximum Input Current (mA)	94
Maximum Power (W)	8
Output Voltage	4-14Vdc
Output Current (mA)	590
Protection	Class II / IP20
Length (mm)	92
Width (mm)	42
Depth (mm)	22
Power Factor	0.52
Ripple Current (%)	9%
Inrush Current (A)	12 at 400µs
Maximum Case Temperature (°C)	75
Ambient Temperature (°C)	-20 to 40

Driver Dimensions



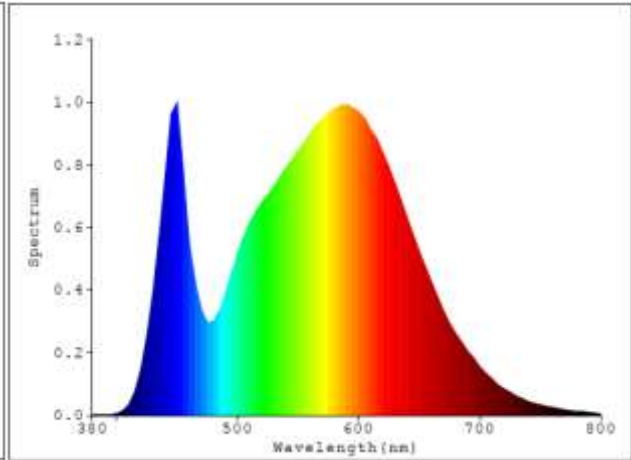
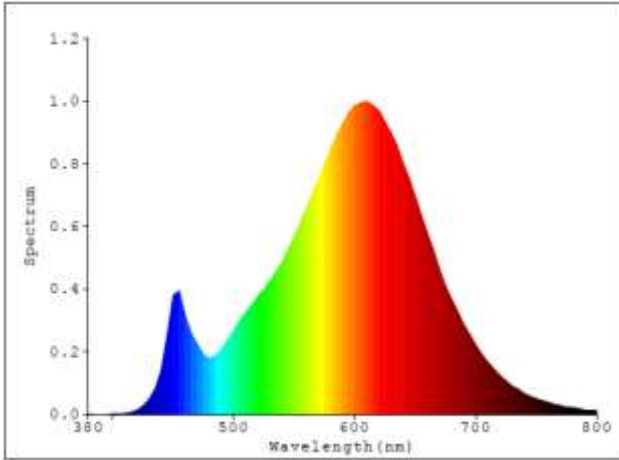
Energy Label



Photometric Information

2700K

4000K



6500K

